



# PRODUCTS CATALOG

ELECTRICAL ENCLOSURES & MODULAR CABINETS



# 20

[exmweb.com](http://exmweb.com)

# NEMA 4X ENCLOSURES

## 5412 ESSM

### STAINLESS STEEL JIC ENCLOSURES (BOLTED FEET)

The 5412 ESSM are used indoors or outdoors to protect the enclosed controls from dust, dirt, oil and water splashing. The 5412 ESSM are made of high quality 16 GA (Type 304) stainless steel, with continuously welded corner seams. The opening has a curled lip around all sides to increase rigidity and prevent dripping water from entering the enclosure when the door is open. A high quality, robotically poured-in-place, seamless gasket

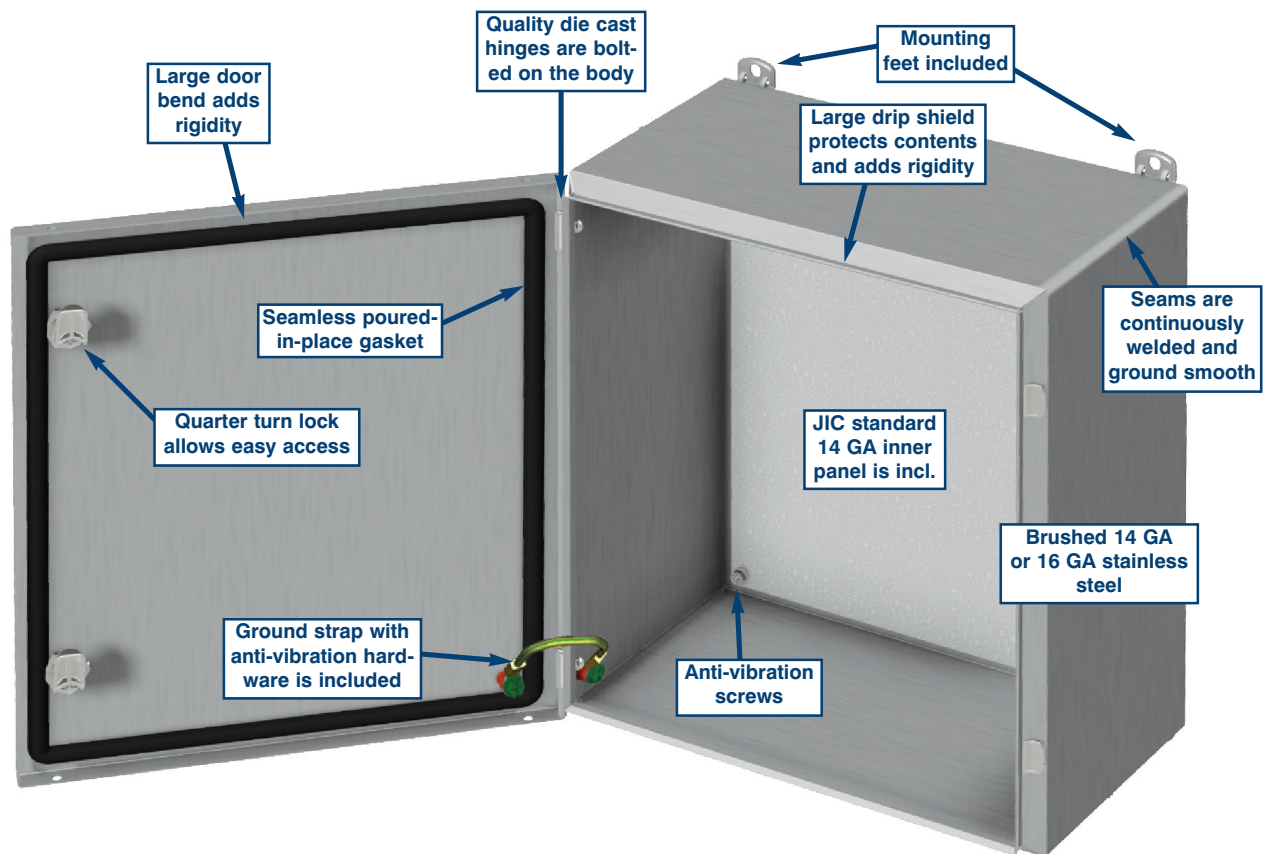
ensures a complete and durable water tight seal. The enclosures feature die cast hinges, which are bound to the cover by an exclusive concealed hinge pin system. The covers are interchangeable and can be removed by unfastening the anti-vibration lock nuts.

**EXM's exclusive ¼ turn locking system** ensures positive closing. **Each enclosure comes complete with a 14 GA galvanized inner panel**, which mounts on welded nuts. The enclosure can

be externally mounted using the wall mounting feet. These feet have oblong holes to facilitate installation. Enclosures are brushed stainless steel. Inner panel is galvanized (other colors available).

**CSA Certified / UL Listed  
NEMA/EEMAC 4X / IP66**

**Refer to p.734 to validate choice of substrate for the application**



p.499



p.499



p.499



p.554



p.597

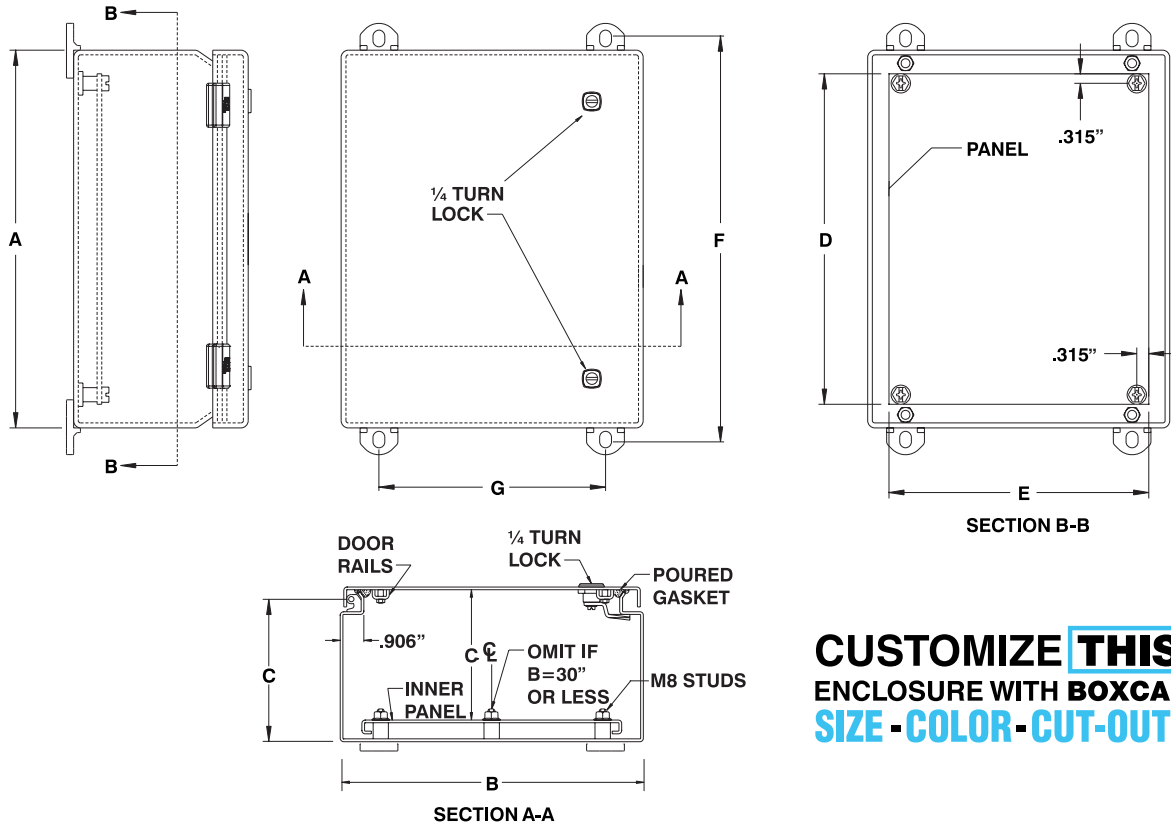


p.603



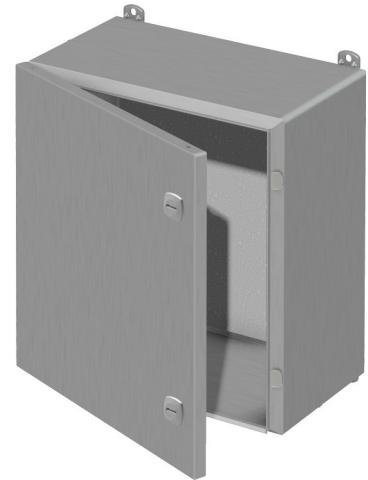
p.625

## STAINLESS STEEL JIC ENCLOSURES (BOLTED FEET)



**CUSTOMIZE THIS**  
ENCLOSURE WITH **BOXCAD**  
SIZE - COLOR - CUT-OUTS

CATALOG NUMBER	DIMENSIONS								SHIP WGT LBS.
	A	B	C	D	E	Fo	Fi	G	
5412 ESSM040403	4	4	3	No.Pan.	No.Pan.	4.75	3.312	2	2
5412 ESSM060403	6	4	3	4.88	2.88	6.75	5.312	2	3
5412 ESSM060404	6	4	4	4.88	2.88	6.75	5.312	2	4
5412 ESSM060604	6	6	4	4.88	4.88	6.75	5.312	4	5
5412 ESSM080604	8	6	4	6.88	4.88	8.75	7.312	4	6
5412 ESSM080804	8	8	4	6.88	6.88	8.75	7.312	6	8
5412 ESSM081004	8	10	4	6.88	8.88	8.75	7.312	8	10
5412 ESSM100804	10	8	4	8.88	6.88	10.75	9.312	6	10
5412 ESSM120604	12	6	4	10.88	4.88	12.75	11.312	4	8
5412 ESSM060605	6	6	5	4.88	4.88	6.75	5.312	4	6
5412 ESSM080605	8	6	5	6.88	4.88	8.75	7.312	4	7
5412 ESSM101005	10	10	5	8.88	8.88	10.75	9.312	8	14
5412 ESSM101205	10	12	5	8.88	10.88	10.75	9.312	10	16
5412 ESSM121005	12	10	5	10.88	8.88	12.75	11.312	8	16
5412 ESSM121205	12	12	5	10.88	10.88	12.75	11.312	10	18
5412 ESSM080606	8	6	6	6.88	4.88	8.75	7.312	4	7
5412 ESSM100806	10	8	6	8.88	6.88	10.75	9.312	6	12
5412 ESSM101006	10	10	6	8.88	8.88	10.75	9.312	8	14
5412 ESSM121206	12	12	6	10.88	10.88	12.75	11.312	10	18
5412 ESSM121406	12	14	6	10.88	12.88	12.75	11.312	12	19
5412 ESSM140806	14	8	6	12.88	6.88	14.75	13.312	6	10
5412 ESSM141206	14	12	6	12.88	10.88	14.75	13.312	10	19
5412 ESSM141606	14	16	6	12.88	14.88	14.75	13.312	14	23
5412 ESSM161006	16	10	6	14.88	8.88	16.75	15.312	8	19
5412 ESSM161206	16	12	6	14.88	10.88	16.75	15.312	10	21
5412 ESSM161406	16	14	6	14.88	12.88	16.75	15.312	12	23
5412 ESSM121008	12	10	8	10.88	8.88	12.75	11.312	8	16
5412 ESSM141208	14	12	8	12.88	10.88	14.75	13.312	10	20
5412 ESSM161208	16	12	8	14.88	10.88	16.75	15.312	10	25
5412 ESSM161408	16	14	8	14.88	12.88	16.75	15.312	12	26
5412 ESSM161410	16	14	10	14.88	12.88	16.75	15.312	12	27



p.565

p.534

